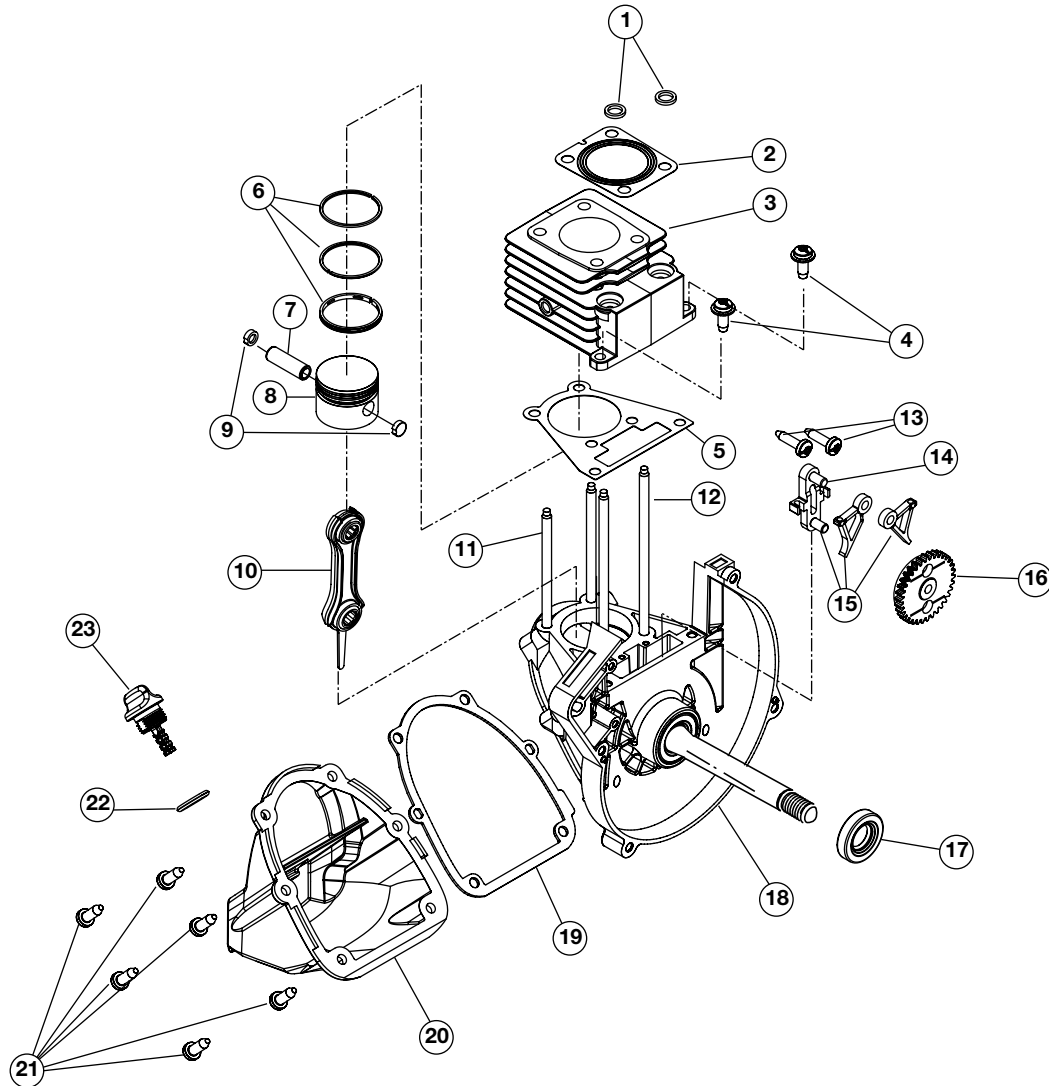


CYLINDER & CRANKCASE ASSEMBLY - MODEL 975r/990r
(Serial No. 611000001 and greater)

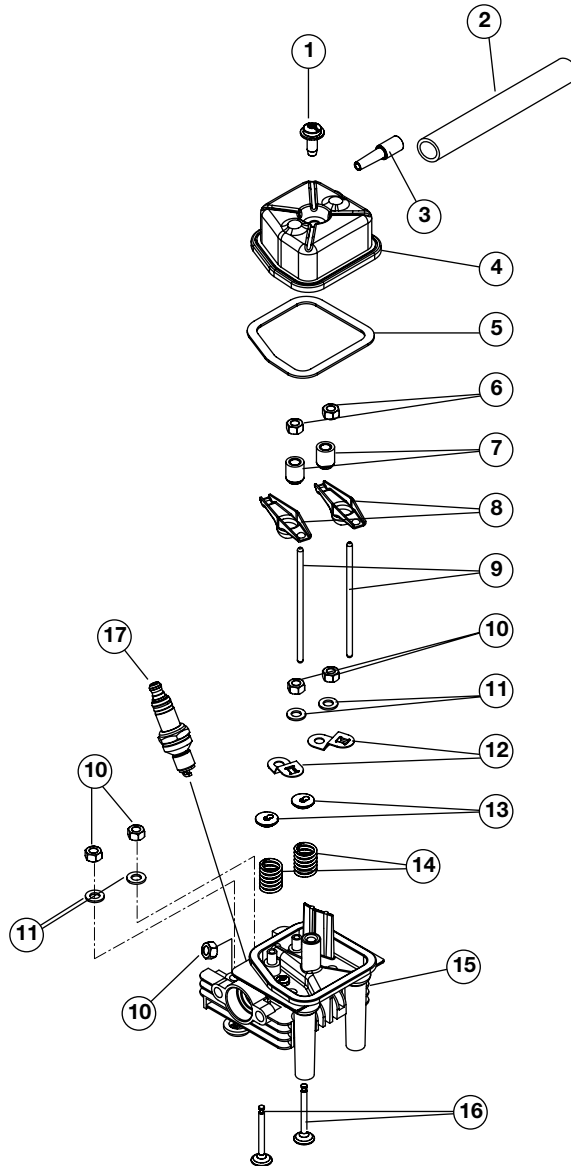


| Item | Part No. | Description |
|-------------|-----------------|-------------------------|
| 1 | 181000 | O-Ring |
| 2 | 181001 | Cylinder Head Gasket |
| 3 | 181002 | Cylinder |
| 4 | 181003 | Screw, (M5 X 18.7mm) |
| 5 | 181004 | Cylinder Gasket |
| 6 | 181005 | Piston Ring Set |
| 7 | 181006 | Wrist Pin |
| 8 | 181007 | Piston |
| 9 | 181008 | Wrist Pin Button |
| 10 | 181009 | Connecting Rod |
| 11 | 181010 | Cylinder Stud (83.5mm) |
| 12 | 181011 | Cylinder Stud (115.5mm) |
| 13 | 181012 | Cam Bracket Screw |
| 14 | 181013 | Cam Bracket |
| 15 | 181014 | Cam Follower |

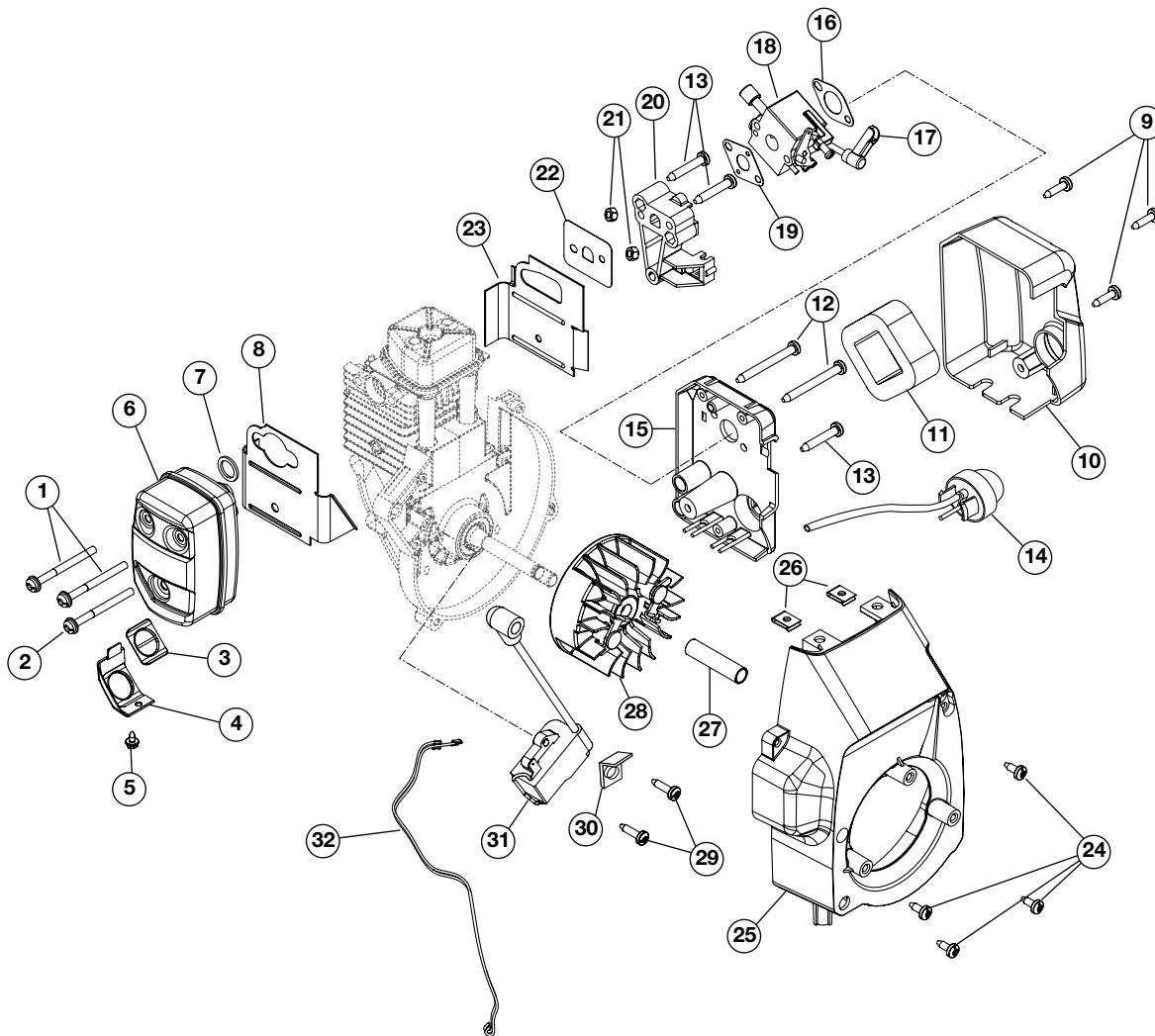
| Item | Part No. | Description |
|-------------|-----------------|---|
| 16 | 181015 | Cam Gear |
| 17 | 181016 | Seal |
| 18 | 181017 | Crankcase W/Power Shaft (includes items 11, 12 & 17) |
| 19 | 181018 | Oil Pan Gasket |
| 20 | 181019 | Oil Pan |
| 21 | 181020 | Screw (M5 X 15.8mm) |
| 22 | 181021 | O-Ring |
| 23 | 181022 | Oil Fill Plug (includes item 22) |
| * | 181023 | Piston and Rod Assembly (items 6-10) |
| * | 181024 | Engine Gasket Kit |
| * | | not shown |

CYLINDER HEAD ASSEMBLY - MODEL 975r/990r
(Serial No. 611000001 and greater)

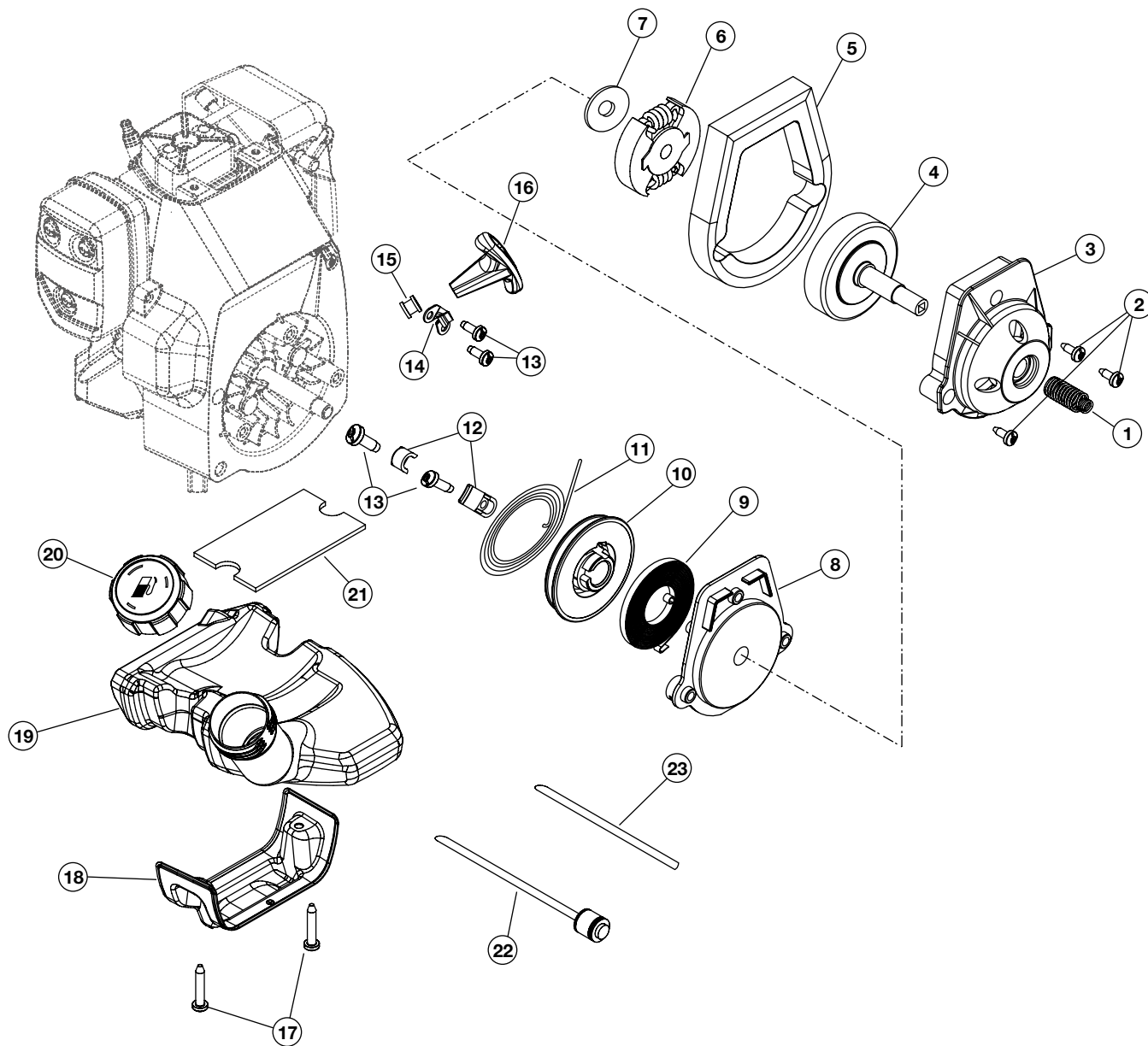
| Item | Part No. | Description |
|------|----------|--|
| 1 | 181025 | Valve Cover Screw |
| 2 | 181026 | Breather Hose |
| 3 | 181027 | Breather Assembly |
| 4 | 181028 | Valve Cover |
| 5 | 181029 | Valve Cover Gasket |
| 6 | 181030 | Rocker Adjusting Nut |
| 7 | 181031 | Rocker Arm Pivot |
| 8 | 181032 | Rocker Arm |
| 9 | 181033 | Push Rod |
| 10 | 181034 | Hex Nut |
| 11 | 181035 | Washer |
| 12 | 181036 | Push Rod Guide |
| 13 | 181037 | Valve Spring Retainer |
| 14 | 181038 | Valve Spring |
| 15 | 181039 | Cylinder Head |
| 16 | 181040 | Valve |
| 17 | 180852 | Spark Plug |
| * | 181041 | Cylinder Head Assembly (items 13-16) |
| * | 181042 | Short Block Assembly (all items from pages 2 & 3) |
| * | | not shown |



CARBURETOR & MUFFLER ASSEMBLIES - MODEL 975r/990r (Serial No. 611000001 and greater)



| Item | Part No. | Description | Item | Part No. | Description |
|-------------|-----------------|---|-------------|-----------------|-------------------------------------|
| 1 | 181043 | Muffler Mounting Screw(2 required) | 20 | 181060 | Carb Mount Insulator |
| 2 | 181044 | Muffler Mounting Screw | 21 | 181034 | Hex Nut |
| 3 | 180890 | Spark Arrestor Screen | 22 | 181061 | Intake Gasket |
| 4 | 181045 | Screen Cover | 23 | 181062 | Intake Baffle |
| 5 | 181046 | Screen Cover Screw | 24 | 181003 | Screw (M5 X 18.7mm) |
| 6 | 181047 | Muffler (items 1-7) | 25 | 181063 | Fan Housing |
| 7 | 181048 | Muffler Gasket | 26 | 181064 | Tinnerman Nut |
| 8 | 181049 | Muffler Baffle | 27 | 181065 | Spacer |
| 9 | 181050 | Air Filter Cover Screw | 28 | 180929 | Flywheel |
| 10 | 181051 | Air Filter Cover | 29 | 181066 | Module Screw |
| 11 | 180350 | Air Filter | 30 | 611063 | Ground Tab |
| 12 | 181052 | Air Filter Base Screw (52.5mm) | 31 | 181067 | Ignition Module |
| 13 | 181053 | Screw (M5 X 29mm) | 32 | 181094 | 18" Lead Wire Set |
| 14 | 181054 | Primer and Line Assembly | * | 610676 | Flywheel Key |
| 15 | 181055 | Air Filter Base | * | 180142 | Flywheel Starter Pawl Repair Kit |
| 16 | 181056 | Gasket | * | 181068 | O.E.M. Carburetor Repair Kit |
| 17 | 181057 | Choke Lever | * | 181069 | Gasket-Diaphragm Repair Kit |
| 18 | 181058 | Carburetor W/Choke Lever (includes limiter caps) | * | 180986 | Carburetor Limiter Cap Set (Walbro) |
| 19 | 181059 | Gasket | * | 181562 | Carburetor Limiter Cap Set (Zama) |
| | | | * | | not shown |

CLUTCH, STARTER MODULE & FUEL TANK ASSEMBLIES -**MODEL 975r/990r****(Serial No. 61100001 and greater)****Item Part No. Description**

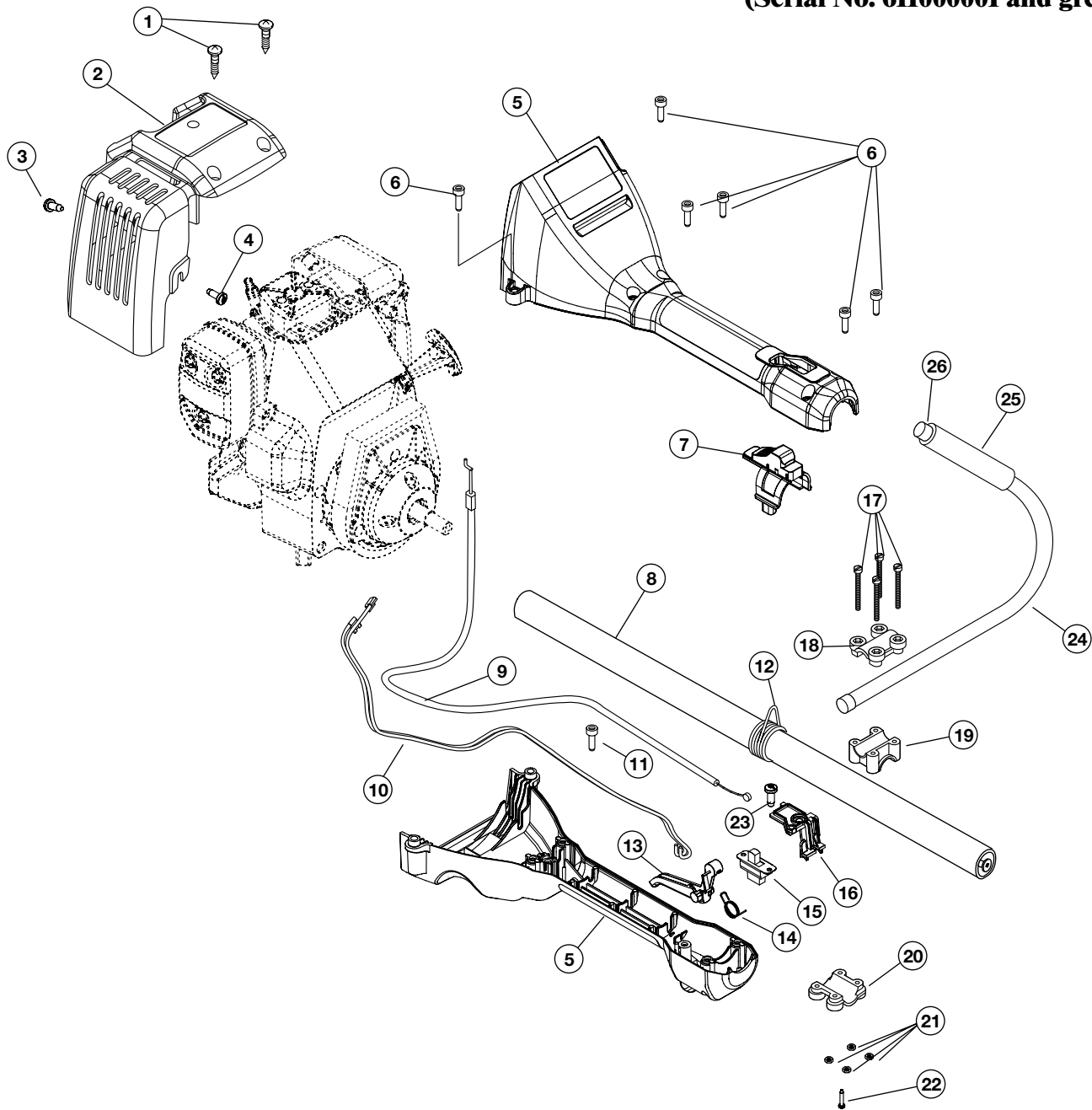
| | | |
|----|--------|-------------------------|
| 1 | 612468 | Compression Spring |
| 2 | 181070 | Screw (M5 X 32mm) |
| 3 | 181071 | Clutch Housing |
| 4 | 180232 | Clutch Drum |
| 5 | 181072 | Isolator |
| 6 | 181837 | Clutch |
| 7 | 181074 | Clutch Washer |
| 8 | 181075 | Starter Housing |
| 9 | 613102 | Starter Spring |
| 10 | 180535 | Starter Pulley |
| 11 | 613103 | Starter Rope |
| 12 | 181076 | Starter Pulley Retainer |
| 13 | 181077 | Screw (M4 X 12.7mm) |
| 14 | 181078 | Rope Guide Retainer |
| 15 | 611061 | Rope Guide |

Item Part No. Description

| | | |
|----|--------|--|
| 16 | 181079 | Starter Handle |
| 17 | 181080 | Fuel Tank Bracket Screw |
| 18 | 181081 | Fuel Tank Bracket |
| 19 | 181082 | Fuel Tank (includes items 20, 22 & 23) |
| 20 | 181083 | Fuel Cap |
| 21 | 181084 | Fuel Tank Pad |
| 22 | 181085 | Fuel Line Assembly W/Filter |
| 23 | 181086 | Fuel Return Line |
| * | 181102 | Clutch Housing Assembly W/Drum (items 3 & 4) |
| * | 181087 | Starter Module Assembly (items 8-13, 15 & 16) |
| * | | not shown |

HANDLE & UPPER BOOM ASSEMBLY - MODEL 975r/990r

(Serial No. 611000001 and greater)



| Item | Part No. | Description |
|------|----------|---|
| 1 | 181020 | Screw (M5 X 15.8mm) |
| 2 | 181088 | Engine Cover |
| 3 | 181089 | Screw (M5 X 15.78mm) |
| 4 | 181104 | Engine Cover Screw |
| 5 | 181090 | Handle Assembly |
| 6 | 181070 | Screw (M5 X 32mm) |
| 7 | 181091 | Switch Slide |
| 8 | 181092 | Upper Drive Housing Assembly with Shaft |
| 9 | 181093 | Throttle Cable |
| 10 | 181094 | 18" Lead Wire Set |
| 11 | 181095 | Anti-Rotation Screw |
| 12 | 610327 | Shoulder Strap Clip |
| 13 | 181096 | Trigger |
| 14 | 610314 | Spring |
| 15 | 181097 | Switch |
| 16 | 181098 | Switch & Trigger Retainer |
| 17 | 181811 | Screw |
| 18 | 181812 | Upper Handle Clamp |
| 19 | 181813 | Middle Handle Clamp |
| 20 | 181814 | Lower Handle Clamp |
| 21 | 181815 | Nut |
| 22 | 145569 | Anti-Rotation Screw |
| 23 | 181077 | Retainer Screw |
| 24 | 181099 | J-Handle Assembly (items 25 & 26) |
| 25 | 612831 | Grip |
| 26 | 612021 | Tube Closure |
| * | 683295 | Handle Bracket Assembly |
| * | | not shown |

BOOM AND TRIMMER PARTS - MODEL 990r

(Serial No. 611000001 and greater)

| Item | Part No. | Description |
|------|----------|--|
| 1 | 181092 | Upper Drive Shaft and Housing Assembly |
| 2 | 181616 | Click-Link System (incldes 3 & 4) |
| 3 | 181617 | Bolt |
| 4 | 181618 | Adjustment Knob |
| 5 | 180804 | Lower Drive Shaft Housing |
| 6 | 613300 | Flexible Drive Shaft |
| 7 | 147539 | Guard Mounting Hardware |
| 8 | 147677 | Mounting Hardware & Grease Plug Assembly |
| 9 | 147488 | Gearbox (items 8, 14, 17 and 18) |
| 10 | 683304 | Guard Mounting Screws |
| 11 | 180387 | Guard & Blade Assembly (includes 12) |
| 12 | 682061 | Blade Assembly |
| 13 | 147492 | Guard Mount |
| 14 | 147489 | Driver |
| 15 | 145873 | Brush Blade with Cover |
| 16 | 613231 | Blade Cover |
| 17 | 147490 | Blade Retainer Washer |
| 18 | 147491 | Lock Nut |
| 19 | 612483 | Spool Shaft |
| 20 | 683301 | Outer Spool and Eyelet Assembly |
| 21 | 612026 | Retainer |
| 22 | 610636 | Spring |
| 23 | 147495 | Inner Reel |
| 24 | 180814 | Bump Head Knob Assembly |
| * | 613226 | Locking Rod Tool |
| * | 682075 | Shoulder Strap Assembly |

Optional Accessories

- * 180120 Cutting Line (50 ft)
- * 147345 Spool and Line Assembly (40 ft)
- * 147498 Complete Cutting Head Assembly (items 19-24)
- * 180014 Blade Retaining Kit (items 17 and 18)
- * 181100 SAE 30 Oil (48 100ml Bottles)
- * 181101 Oil Fill Spout
- * not shown

